

GRABER. | DELIGHT IN
EVERY DETAIL

Graber Exterior Solar
Shades US Price Guide

May 2026

EXTERIOR SOLAR SHADES

Product Information Guide

Features

Summary	2
Fabric Styles and Information: Exterior Solar Shades	2-3
Light Gaps	3
Fabric Recommendations	3
Fabric Disclaimers	3
Large Window Sizing	3
Light Control and Privacy	3
Fabric Certifications	3

Size Considerations

Continuous Loop Lift and Motorized Lift: Maximum Shade Size	4
How to Determine Maximum Shade Size	5
Planning for Installation of Exterior Shades	5
Depth Requirements for Inside Mount	6
Guide Cables	6
Motor Power Cable	6

Options

Summary	7
Reverse Roll	7
Continuous Loop Lift	7
Square or Round Cassette Valance	7
Motorized Lift	8

General Information

Exterior Continuous Loop Lift Product Detail	9
Exterior Motorized Lift Shade Product Detail	10

GRABER®

OCTOBER 2025

(10/25) 25-708500

Summary of Revisions

OCTOBER 2025	
Page 6-7	<p>Added the new Square Cassette offered in 2 sizes:</p> <ul style="list-style-type: none"> • Medium and Large <p>Square Cassette fits the same as Round.</p> <p>Updates include square and round as choices throughout the document</p> <p>Order system will show sizes as follows:</p> <ul style="list-style-type: none"> • Square Md Painted Cassette • Square Lg Painted Cassette
Throughout	"Continuous Loop Lift Cassette" now refers to Square Painted and Round Painted Cassette options
Page 6-7	No change to lift options. Previous Continuous Cord Loop Lift Cassette is now available with Square Painted and Round Painted Cassettes in Medium and Large. Motorized Square Painted and Round Painted Cassette available in Large.
Page 6-7	<ul style="list-style-type: none"> • Maximum Shade Size charts for single and dual shades: Added sizes and cassette type, for example Small Square/Round Cassette to the chart headers for Valance Type. • Mounting Depth Illustrations: Added Square cassette image. Same mounting depth as round.
Page 6-7	Added/updated "Square Painted or Round Painted Cassette" to Options. Added Square Painted Cassette graphic
Page 9-10	Added square cassette graphic and feature data to applicable lift type product detail

Features

Exterior Solar Shades Expand Your Outdoor Living Space

- Maintain an outdoor view
 - Filter and diffuse light while maintaining an outward view
 - The higher the openness factor and the darker the fabric, the clearer the view
- Manage glare
 - Minimize glare on televisions and home office computers
 - The darker the fabric color, the better the glare control and visibility
- Block damaging UV rays
 - The amount of UV ray blockage is the inverse of a fabric's openness factor (i.e., a fabric with 10% openness blocks 90% of UV rays)
 - Protect furniture, carpets, artwork, etc. from fading due to harmful UV rays

- Temperature control
 - Exterior shades reduce solar heat gain before it enters the house, reducing air conditioning costs
 - Solar fabrics reduce heat transmittance, keeping rooms cooler and increasing the comfort level in your home
 - The lighter the fabric color, the better the temperature control

IMPORTANT: Shades must be raised fully during inclement weather and windy conditions. Raise shade in winds exceeding a moderate breeze (13–18 mph: small tree branches move, dust is picked up from the ground surface)

Fabric Styles and Information: Exterior Solar Shades

Style Name	Openness	UV Blockage	Fabric Composition	Useable Fabric Width (inches)	GREENGUARD Certified	Anti-Microbial	FR Rated	Can be Railroaded Turned 90° (width for height)	Can be Seamed	Color Number
Broadcast	1%	99%	25% Polyester/ 75% Vinyl on Polyester	116	•	•	•	•	•	All
Chronicles	4%	96%	15% Polyester/ 85% Vinyl on Polyester	96	•	•	•		•	All
Exposition	8%	92%	26% Polyester/ 74% Vinyl on Polyester	96	•	•	•		•	All
Guildhall	5%	95%	26% Polyester/ 74% Vinyl on Polyester	96	•	•	•		•	49305
Merit	4%	96%	15% Polyester/ 85% Vinyl on Polyester	96	•	•	•		•	All
Monticello	7%	93%	23.8% Polyester/ 76.2% Vinyl on Polyester	96	•	•	•	•		All
Pannier	10%	90%	85% PVC/15% Polyester	96	•	•	•			All
Plexus 1%	1%	99%	19% Polyester/ 81% Vinyl on Polyester	116	•	•	•	•	•	47611, 47612
			25% Polyester/ 75% Vinyl on Polyester							47610, 47604, 47606, 47609, 47608, 47603, 47602, 47607
Plexus 3%	3%	97%	19% Polyester/ 81% Vinyl on Polyester	116	•	•	•	•	•	47711, 47712
			25% Polyester/ 75% Vinyl on Polyester							47710, 47704, 47706, 47709, 47708, 47703, 47702, 47707
Plexus 5%	5%	95%	13% Polyester/ 87% Vinyl on Polyester	116	•	•	•	•	•	47812, 47811
			25% Polyester/ 75% Vinyl on Polyester							47810, 47804, 47806, 47809, 47808, 47803, 47802, 47807
Standard Weave 1%	1%	99%	21% Polyester/ 79% Vinyl on Polyester	124	•	•	•	•	•	47905, 47907, 47908
			24% Polyester/ 76% Vinyl on Polyester							47901, 47906
			25% Polyester/ 75% Vinyl on Polyester							47903, 47904
Standard Weave 3%	3%	97%	18% Polyester/ 82% Vinyl on Polyester	124	•	•	•	•	•	48203, 48204
			21% Polyester/ 79% Vinyl on Polyester							48205, 48207, 48208
			24% Polyester/ 76% Vinyl on Polyester							48201
Standard Weave 5%	5%	95%	16% Polyester/ 84% Vinyl on Polyester	124	•	•	•	•	•	48303, 48304
			21% Polyester/ 79% Vinyl on Polyester							48305, 48307, 48308
			24% Polyester/ 76% Vinyl on Polyester							48301

Features

Fabric Styles and Information: Exterior Solar Shades

Style Name	Openness	UV Blockage	Fabric Composition	Useable Fabric Width (inches)	GREENGUARD Certified	Anti-Microbial	FR Rated	Can be Railroaded Turned 90° (width for height)	Can be Seamed	Color Number
Standard Weave 10%	10%	90%	16% Polyester/ 84% Vinyl on Polyester 21% Polyester/ 79% Vinyl on Polyester 24% Polyester/ 76% Vinyl on Polyester	116	•	•	•	•	•	48403, 48404 48405, 48407, 48408 48401
Steel House	8%	92%	70% PVC/30% Polyester	96	•		•			All
Vanguard 1%	1%	99%	21% Polyester/ 79% Vinyl on Polyester 24% Polyester/ 76% Vinyl on Polyester 25% Polyester/ 75% Vinyl on Polyester	124	•	•	•	•	•	47912, 47914, 47918, 47917 47909, 47915, 47916 47910
Vanguard 3%	3%	97%	18% Polyester/ 82% Vinyl on Polyester 21% Polyester/ 79% Vinyl on Polyester 24% Polyester/ 76% Vinyl on Polyester	124	•	•	•	•	•	48210 48212, 48214, 48217, 48218 48209, 48215, 48216
Vanguard 5%	5%	95%	16% Polyester/ 84% Vinyl on Polyester 21% Polyester/ 79% Vinyl on Polyester 24% Polyester/ 76% Vinyl on Polyester	124	•	•	•	•	•	48310 48312, 48314, 48317, 48318 48309, 48315, 48316

Light Gaps

A light gap will be present on inside mounted shades. An outside mount with overlap is recommended to eliminate light gap.

Control Type	Light Gap Per Side (inches)
Continuous Loop Lift No Cassette	3/16 to 1/4
Continuous Loop Lift with Cassette	3/16 to 1
Motorized Lift with Cassette	1 to 1 1/16

Fabric Recommendations

Please order all shades at the same time to ensure color consistency and minimize dye lot variation.

Fabric Disclaimers

Due to the nature of the weaving process, some imperfection in the weave is normal.

Roll direction cannot be reversed after a shade is ordered.

Fabric appearance can vary based on changing lighting conditions.

Fabrics turned width for height (referred to as railroaded) may curl along the edge. With extremely wide or railroaded shades, a V shape may appear in the center of the panel. This occurs due to the weight of the fabric. This is not a defect in the product.

Fabric Certifications

GREENGUARD Indoor Air Quality Certified® Fabrics: Many Graber® fabrics have been certified by GREENGUARD Environmental Institute (GEI) to be low chemical and particle emitting fabrics, providing a healthier indoor air quality. The process used for certification complies with established indoor air quality standards and is performed by a third party lab. Please see graberblinds.com for more information.

greenguard.org

GREENGUARD Indoor Air Quality Certified is a registered trademark of the GREENGUARD Environmental Institute.

3 | graberdirect.com

Large Window Sizing

Some fabrics can be turned 90° clockwise (width for height) to accommodate wider windows. In these cases some solar fabrics can be seamed for longer lengths. Fabrics turned width for height (referred to as railroaded) may curl along the edge. This is not a defect in the product.

Light Control and Privacy

Privacy: Solar shades do not offer nighttime privacy—lighted interiors allow inward visibility. If complete privacy is desired, consider adding an additional window treatment.



October 2025

Size Considerations

Continuous Loop Lift and Motorized Lift: Maximum Shade Size

Continuous-Loop Lift and Motorized Lift: Maximum Shade Size										
Valance Type	Normal Fabric Orientation				Fabric Turned Width for Height (Railroaded)					
	Continuous Loop Lift Medium Square or Round Cassette		Continuous Loop Lift Large Square or Round Cassette/No Cassette/ No Valance		Continuous Loop Lift Medium Square or Round Cassette		Continuous Loop Lift Large Square or Round Cassette/ No Cassette/ No Valance at Max Length		Continuous Loop Lift Large Square or Round Cassette/ No Cassette/ No Valance at Max Width	
	Width	Height	Width	Height	Width	Height	Width	Height	Width	Height
Broadcast	76	118	116	144	76	118	121	144	121	144
Chronicles	96	118	96	144	NO RR	NO RR	NO RR	NO RR	NO RR	NO RR
Exposition	82	104	96	144	NO RR	NO RR	NO RR	NO RR	NO RR	NO RR
Guildhall	96	102	96	144	NO RR	NO RR	NO RR	NO RR	NO RR	NO RR
Merit	96	118	96	144	NO RR	NO RR	NO RR	NO RR	NO RR	NO RR
Monticello	80	108	96	144	83	86	114	83	144	80
Pannier	81	104	96	144	NO RR	NO RR	NO RR	NO RR	NO RR	NO RR
Plexus 1%	74	109	116	124	74	109	118	122	118	122
Plexus 3%	74	114	114	133	74	114	121	124	121	124
Plexus 5%	74	119	116	136	74	119	121	130	121	130
Standard Weave 1% (Calcite; Polished)	108	114	124	144	108	114	139	144	139	144
Standard Weave 1% (Veranda; Café Doppio; Chiseled)	106	121	124	144	106	121	136	144	136	144
Standard Weave 10% (Calcite; Polished)	110	134	116	144	110	134	144	144	144	144
Standard Weave 10% (Veranda; Café Doppio; Chiseled)	108	130	116	144	108	130	143	144	143	144
Standard Weave 3% (Calcite; Polished)	108	123	124	144	108	123	141	144	141	144
Standard Weave 3% (Veranda; Café Doppio; Chiseled)	107	122	124	144	107	122	139	144	139	144
Standard Weave 5% (Calcite; Polished)	110	123	124	144	110	123	142	144	142	144
Standard Weave 5% (Veranda; Café Doppio; Chiseled)	108	127	124	144	108	127	141	144	141	144
Steel House	82	121	96	144	NO RR	NO RR	NO RR	NO RR	NO RR	NO RR
Vanguard 1% (Authentic; Gentle Beige; Chrome;	108	114	124	144	108	114	139	144	139	144
Vanguard 1% (Elusive; Macedonia; Dew; Homage; Peloton)	106	121	124	144	106	121	136	144	136	144
Vanguard 3% (Authentic; Gentle Beige; Chrome; Pendulum)	108	123	124	144	108	123	141	144	141	144
Vanguard 3% (Elusive; Macedonia; Dew; Homage; Peloton)	107	122	124	144	107	122	139	144	139	144
Vanguard 5% (Authentic; Gentle Beige; Chrome; Pendulum)	110	123	124	144	110	123	142	144	142	144
Vanguard 5% (Elusive; Macedonia; Dew; Homage; Peloton)	108	127	124	144	108	127	141	144	141	144

"NO RR" signifies a fabric that cannot be rotated 90 degrees in order to add to the maximum width for a shade.

Due to continuous manufacturing improvements, minimums and maximums are subject to change. These tables provide approximate maximum size size available by fabric and cassette. Seams may be added to fabrics to accommodate long shade requirements. For shades longer than material width, seams will be visible when the shade is fully extended.

Size Considerations

How to Determine Maximum Shade Size

Follow these easy steps to determine approximate maximum size and valance size from the maximum shade size tables.

1. Determine your fabric style and shade size, and select whether you want a square or round cassette (or if you choose the no-cassette option for continuous loop lift).
2. Find the fabric in the first column.
3. Determine if your shade size is within the normal fabric orientation size range.
4. Identify the appropriate size cassette (or no cassette for Continuous Loop lift) for your shade size.
5. If your shade size is larger than either the maximum width or height range, your fabric may be able to be turned width for height for larger shades. Use the fabric turned width for height (railroaded) table.

EXAMPLE: Determine approximate maximum size and cassette for normal orientation shades. The example Continuous Loop lift shade is 110" x 120" Vanguard 5% with cassette.

1. Find Vanguard 5% in the first column.
2. Follow the Vanguard 5% fabric row to the width and height sizes.
3. The maximum width and maximum height in normal fabric orientation available for this configuration is 117" x 144".
NOTE: Both width and height must be less than the maximum width and height segment to fit the normal shade orientation.
4. Follow this segment to the top of the table. This segment is within the large cassette size indicating this shade's smallest segment cassette size available is a large size cassette.

Planning for Installation of Exterior Shades

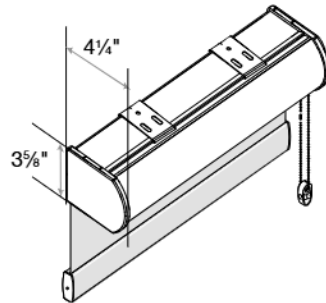
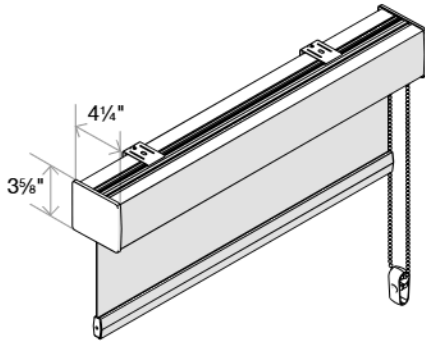
Use the following planning guidelines for your exterior shade:

1. Determine the location of the shade.
2. Motorized lift shade: Determine the exterior power location. Measure the distance from the planned shade location to the electrical outlet or jbox to order the motor power cable lead length (10 feet).
3. Determine the side of the shade (left or right) the bead chain for Continuous Loop lift or the motor power cable for motorized lift should exit.
4. For top mounts, large cassette installation: ½" spacing is required between the window and the back of the bracket.
5. For wall mounts, large cassette installation: ¾" clearance is required above bracket.
6. Use a stud finder to locate solid area to mount installation brackets.
7. Installation of motorized lift shades may require two people.
8. Never install exterior shades in windy conditions.
9. A licensed electrician is required for all electrical connections. All local and NEC codes must be followed.
10. The installation screws provided are for mounting on wood. For mounting on materials other than wood, please consult a qualified professional.

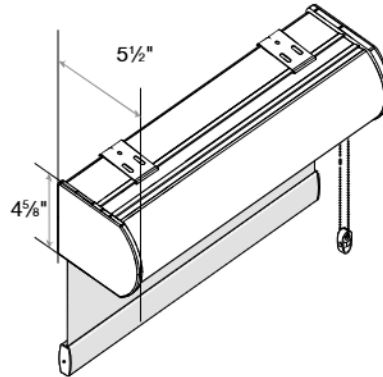
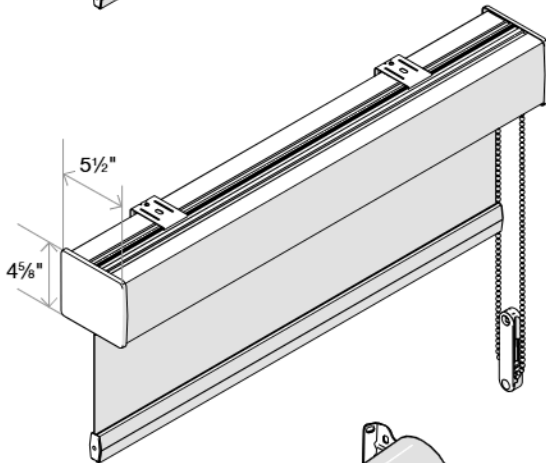
Size Considerations

Depth Requirements for Inside Mount

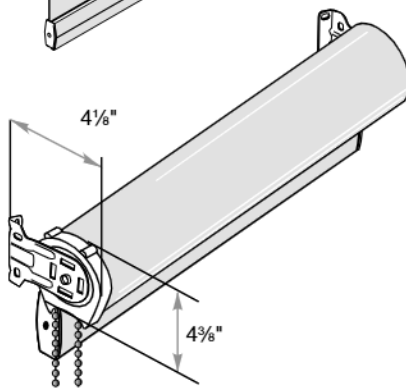
- The following diagrams illustrate the mounting depth requirements for shades mounted inside window casements or deck/porch frames
- Motorized lift shades only available with large cassette
- Continuous Loop lift shades shown



Square Md Painted or Round Md Painted Cassette
 • 1 3/4" minimum inside mount (Continuous Loop lift only)



Square Lg Painted or Round Lg Painted Cassette
 • 1 3/4" minimum inside mount

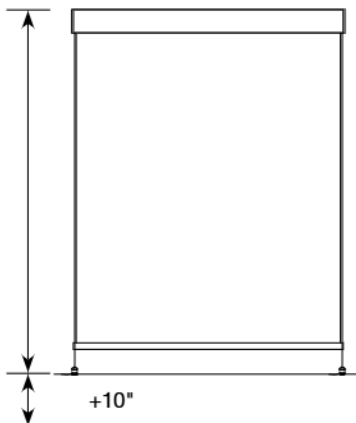


No Valance*

- 3/4" minimum needed to attach bracket for an inside/side mount
- 4 1/8" minimum for an inside/top mount

*Largest possible measurement given. This will vary with fabric and window dimensions.

Guide Cables (motorized lift shades only)



Use the following to determine the guide cable length that will be provided with your shade:

1. Add 10" to the shade height.
2. The next longest cable length will be supplied.
 - Included in motorized lift pricing
 - Stainless steel guide cable
 - Four lengths available: 54", 80", 144", and 186"
 - Stainless steel cable locks included
 - Cables will be at least 10" longer than ordered height; longer cable can be cut to length needed

EXAMPLE: Shade height is 95". Add 10" = 105". Shade will come with a guide cable at 144" Cable can be cut to required length at time of installation.

Motor Power Cable

1. Estimate the number of feet from the cassette valance motor power cable exit to the electrical junction box or GFCI (ground fault circuit interrupter) outlet.
2. Select 10 feet.

Options

Summary

Control Type Options

- Continuous Loop lift
- Motorized lift with guide cables

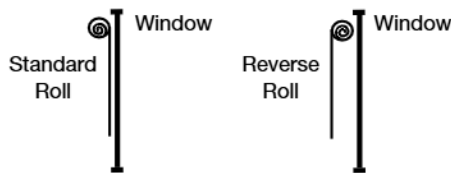
Shade Options—No Charge

- Chain location
- Turning fabric width for height to accommodate wider windows
- Longer chain length
- Reverse roll
- Cable locks—motorized lift
- Guide cables—motorized lift
- Hold downs—Continuous Loop lift

Shade Options—Surcharge

- Cassette valance
- Motorization accessories

Reverse Roll

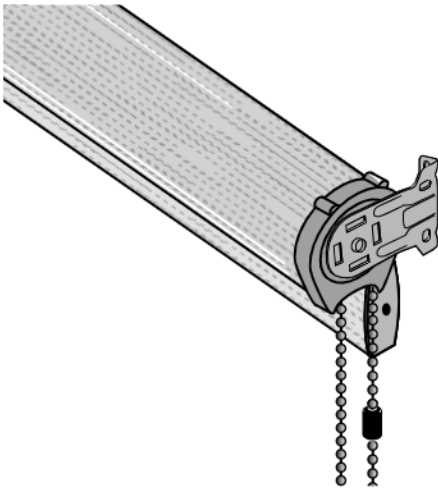


• No charge

- Standard roll is where fabric rolls over the tube to the back
- Reverse roll is where the fabric rolls over the tube to the front
- Reverse roll not available with valances
- Roll direction cannot be changed after shade is manufactured

NOTE: For optimal privacy and light control, standard roll should be used.

Continuous Loop Lift



• For pricing, see price charts

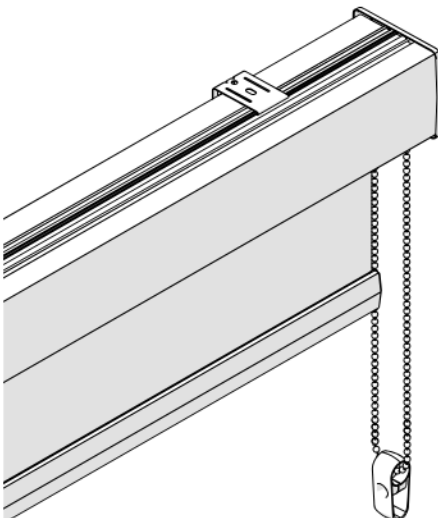
- Beaded chain and clutch system makes raising and lowering shade easy
- Two clutch sizes depending on shade size
- Stainless bead chain stays same length regardless of shade position
- Bead chain length is approximately $\frac{7}{8}$ length of shade; customer can request longer chain length at time of order
- Chain is kept at a constant length and held taut by a safety hold down device

NOTE: Hold down device must be installed to operate the shade.

- Choose left or right chain location (right is standard)
- Component and cassette valance color is selectable
- Hem bar hold downs attach the shade to the frame of the window or deck/patio
- Fabrics and components are specifically designed for outdoor use

NOTE: All exterior shades must be fully raised in wind and inclement weather. Raise shade in winds exceeding a moderate breeze (13–18 mph: small tree branches move, dust is picked up from the ground surface)

Square Painted or Round Painted Cassette



- Choose Square Painted or Round Painted Cassette
- Square Painted Cassette Colors: Black 939, Brown 873, Cream 715, White 871
- Round Painted Cassette Colors: Black 939, Brown 873, Vanilla 970, White 871
- Painted and powder coated finishes are rated for outdoor use
- Square Painted or Round Painted cassette must be ordered at the same time as the continuous-loop lift shade

- **NOTE:** Motorized lift system includes a cassette. Choose square or round
- Sizes: Medium $3\frac{3}{8}$ " high x $4\frac{1}{4}$ " deep (continuous loop lift only); Large $4\frac{5}{8}$ " high x $5\frac{1}{2}$ "

Options

Motorized Lift

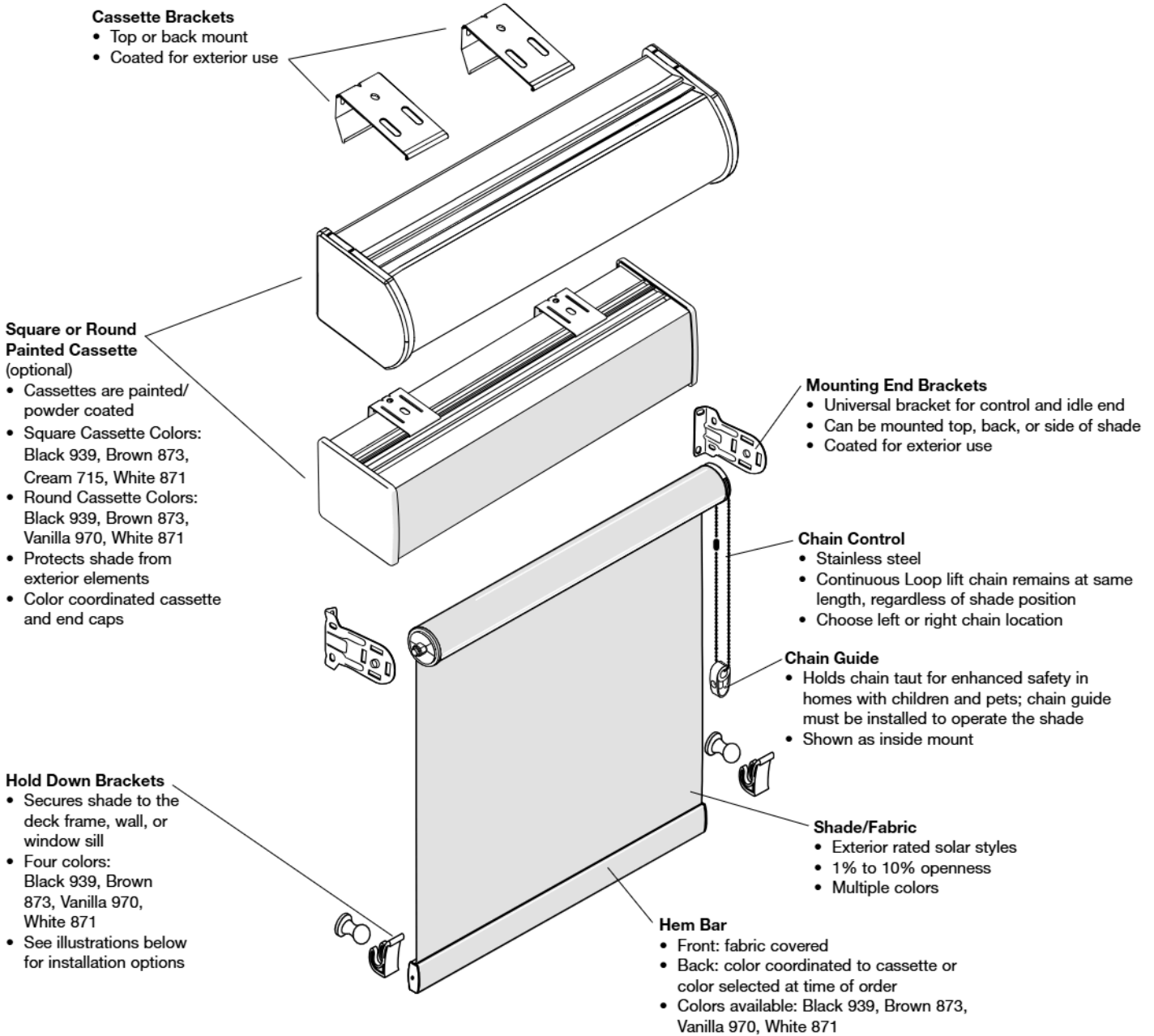
- **For pricing, see price charts**
- Components are rated for exterior use
- Motorized lift shades come standard with a radio frequency AC motor providing convenient operation through wireless remote controllers and wall switches
- Powered using a 3-prong plug (residential outlet) (sold separately) or wired directly by an electrician
- Radio frequency operation allows shade operation from virtually anywhere without direct line of sight; no wiring is required between the motor and the controllers
- Upper and lower motor limits are pre-programmed for added convenience
- Square Large Painted Cassette is included in price in four colors: Black 939, Brown 873, Cream 715, White 871
- Round Large Painted Cassette is included in price in 4 colors: Black 939, Brown 873, Vanilla 970, White 871
- Universal cable locks are standard
- Guide cables are secured with unique, universal cable lock that can be mounted base/sill or back/wall
- Guide cables determined by shade height; 54", 80", 144", 186"

Motorized Lift Options

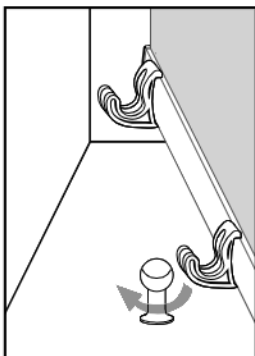
- Controllers and wall switches are wireless, providing installation and operation convenience
- 1- and 5-channel remote controllers operate individual or groups of shades
- Exterior rated remote controls are water resistant and shock proof
- Interior remote controllers and wireless wall switches can operate the same shades
- Interior wireless 1- and 5-channel wall switches provide convenient operation of individual or groups of shades from inside the home
- Wind sensor will automatically raise the shade in windy conditions, providing protection of your shades
- Choose left or right motor power cable location
- Power cable length available: 10 feet
- Exterior rated black plug available

General Information

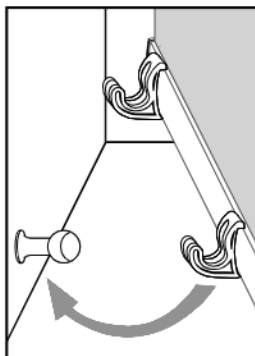
Exterior Continuous Loop Lift Product Detail



NOTE: The installation screws provided are for mounting on wood. For mounting on materials other than wood, please consult a qualified contractor.



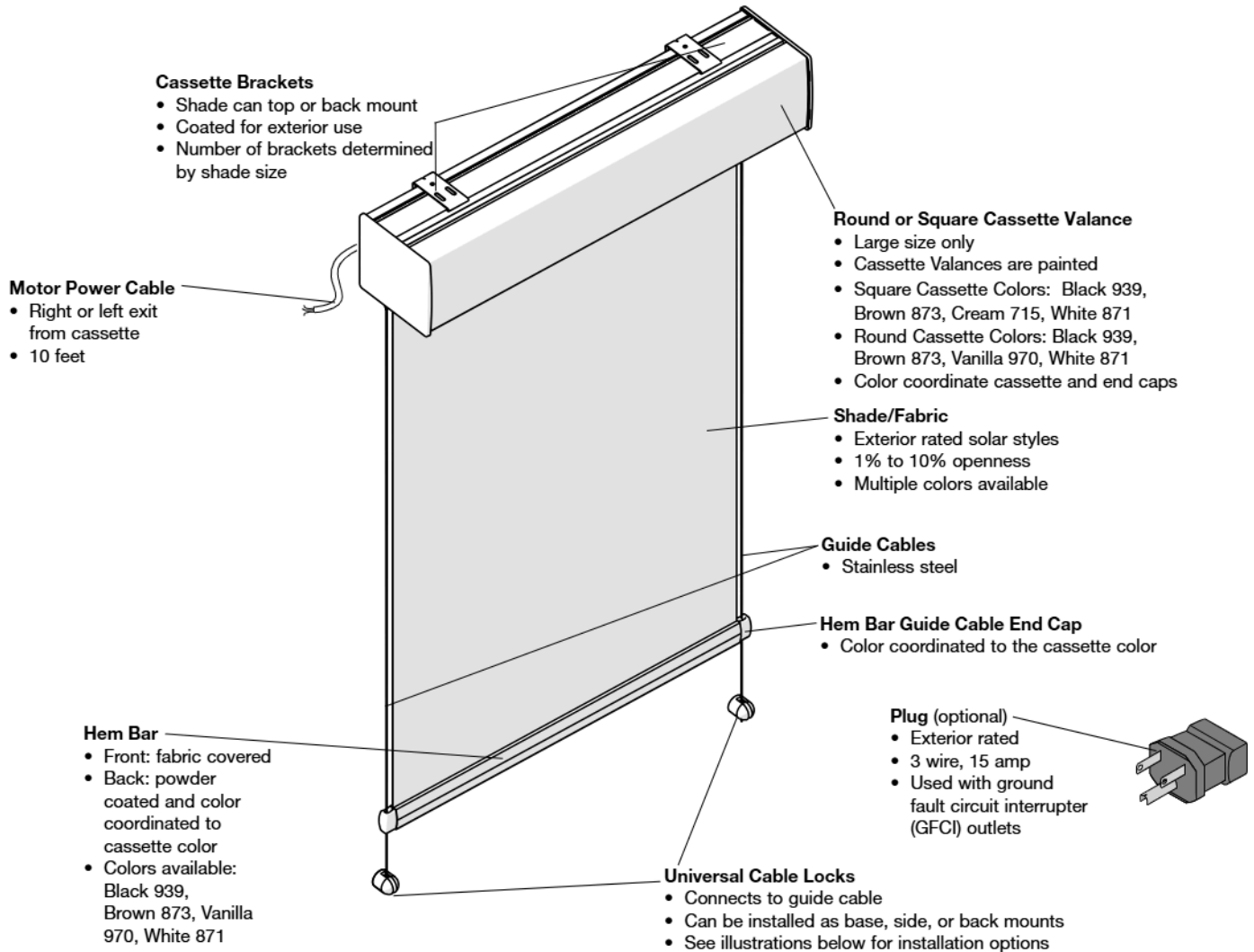
Base/Sill Mount



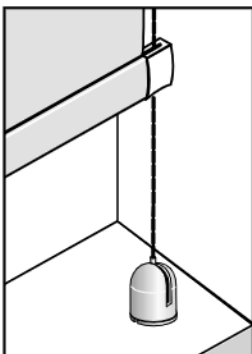
Back/Wall Mount

General Information

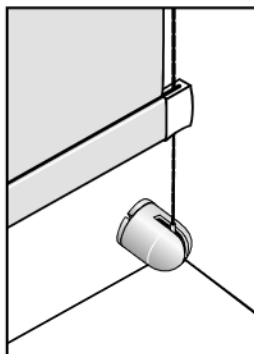
Exterior Motorized Lift Shade Product Detail



NOTES: A licensed electrician is required for all electrical connections. All local and NEC codes must be followed. The installation screws provided are for mounting on wood. For mounting on materials other than wood, please consult a qualified contractor.



Base/Sill Mount



Back/Wall Mount